

THREE LEVER VALVE

The MI three-lever valve is an on/off valve designed for gas media applications in different industries such as:

- Air separation plants
- Steel Industry
- Petrochemical Industry
- Power Industry

Sizes:

DN 300 to DN 2400

Working Pressures:

DN 300 – DN 2400 PN 10

Working Temperatures:

Up to 300°C

Dust Content:

Up to 1000 gr/Nm³
(Other working conditions upon request)

Standard Flange Connections:

EN 1092 PN10/16 and ANSI 150/300 serie B

Face to face:

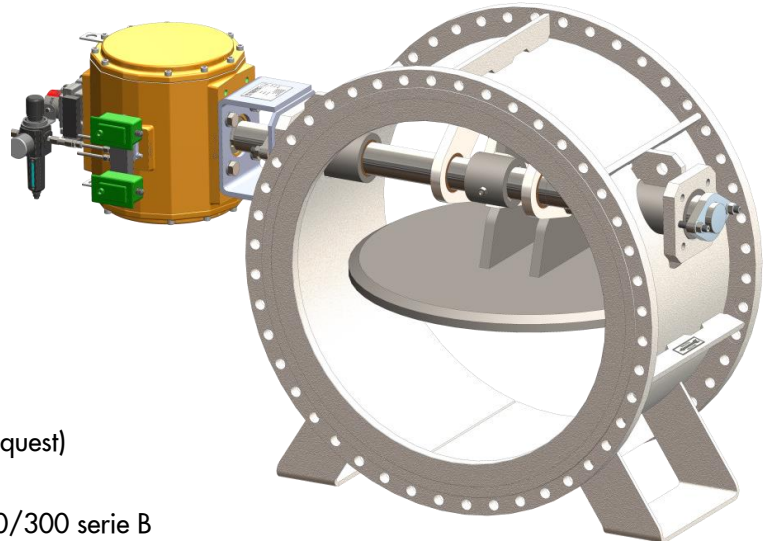
EN 558 series 14

Directives:

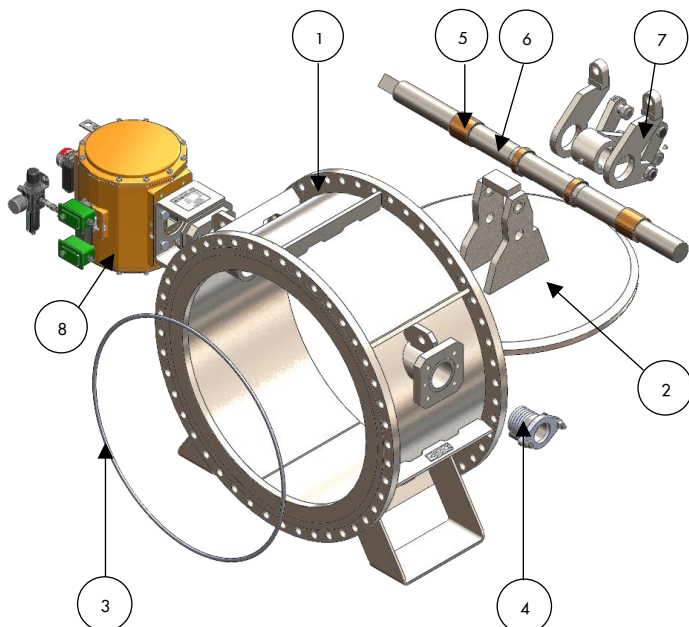
2006/42/EC Machinery Directive
2014/68/EU Pressure Equipment Directive, category III, Mod. H

Design and testing standards:

EN 13445 Unfired pressure vessels.
EN 12266 Industrial valves. Testing of metallic valves.



Other design codes and/or certifications available upon request (ASME VIII, TSG D7002, ...)



STANDARD PART LIST

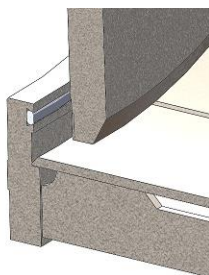
Parts:

1. Body	P265GH
2. Disc	P265GH
3. Seal	Soft (Graphited) / Metal
4. Packing	Graphite rings
5. Bushings	Self lubricated
6. Shaft	AISI 420
7. Levers	P265GH
8. Actuator	Pneumatic (linear/1/4turn)

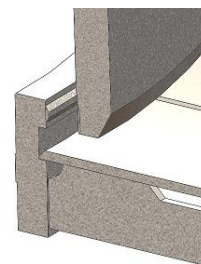
DESIGN FEATURES

- The three lever valve is specially designed for high working pressures and high gas flows application. It is an on/off valve and the pneumatic actuator is designed to open the valve at low differential pressures (100-250 mbar)
- Fabricated construction
- Unidirectional valve
- Tightness according to:

	Metal seat	Soft seat
ANSI FCI-70	IV	V
EN 12266	40% Rate F	Rate D

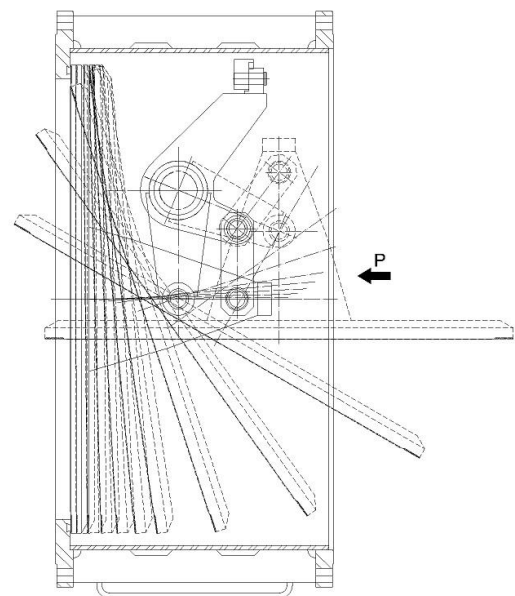


Soft seat



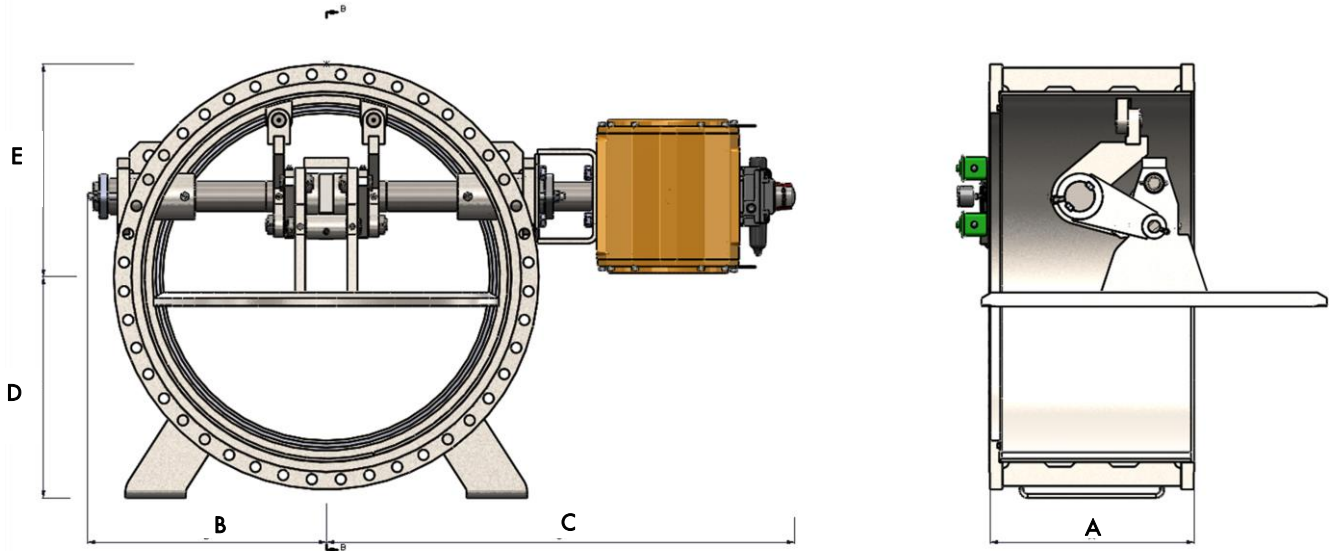
Metal to metal seat

- Stem packing is made of die formed graphite/PTFE rings for low emissions
- Three lever linkage design to get a frontal disc to seat contact movement
- Front face contact reduces seat wearing and prevents disc jamming even in high temperature applications
- Consistent torque over time and precise differential pressure control to open
- Valve can act as extra safety to process avoiding pressure shocks due to sudden openings protecting other elements (e.g. bed absorbers for air separation plants)
- Pneumatic ¼ turn or linear actuators available
- Custom pneumatic solutions as per customer requirements



DIMENSIONS

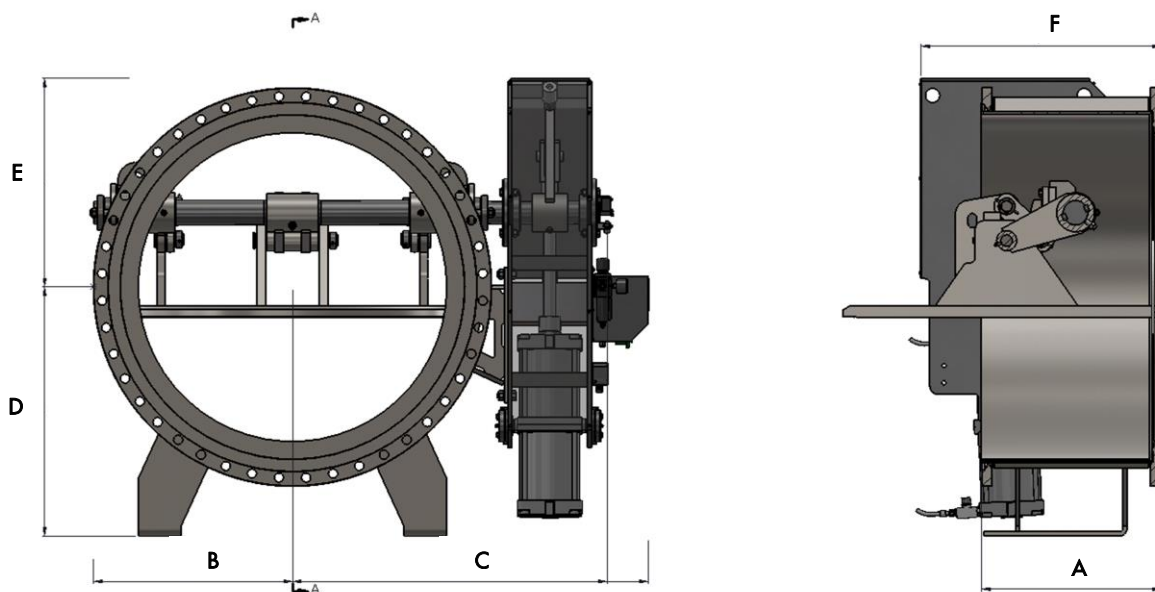
MI+1/4 TURN ACTUATOR



DN	A	B	C	D	E
300	270	250	470	275	250
400	310	300	550	325	300
500	350	350	700	375	350
600	390	400	910	425	390
700	430	450	970	475	450
750	450	475	1000	525	490
800	470	500	1050	550	525
900	510	525	1170	550	530
1000	550	650	1200	650	615
1200	630	710	1300	750	730

DIMENSIONS

MI + LINEAR ACTUATOR



DN	A	B	C	D	E	F
600	390	400	850	600	530	650
700	430	450	900	630	560	675
750	450	475	925	650	600	720
800	470	500	950	700	610	750
900	510	525	1000	725	650	780
1000	550	650	1150	750	850	820
1200	630	710	1250	890	960	980
1400	710	840	1530	890	1050	1140
1500	750	670	1800	950	1020	1200
1600	790	1020	1820	1210	1100	1140
1800	870	1060	1680	1250	1060	1310
2000	950	1180	2050	1620	1175	1500
2200	1030	1250	2170	1800	1300	1710
2400	1110	1400	2280	1900	1450	1950