

HG KNIFE GATE VALVE

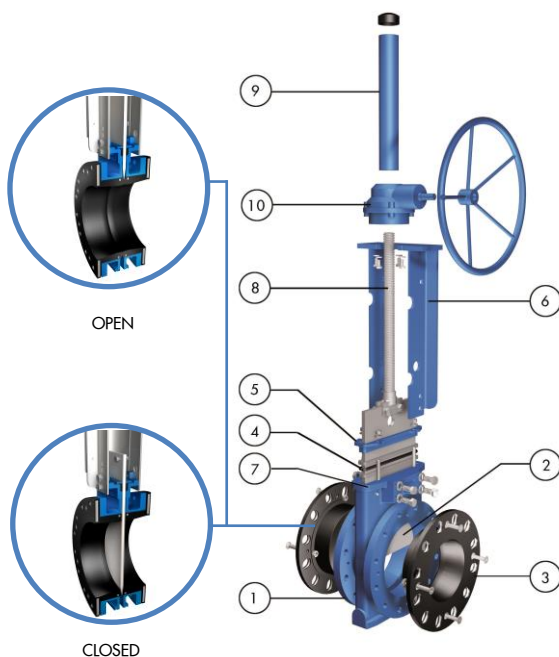
The HG model knife gate valve is a full flanged heavy duty valve equipped with two metal reinforced rubber sleeves designed for use in the handling of abrasive slurries, mainly in industries such as Mining, Chemical Plants, Power Plants, Wastewater Treatment Plants, etc.

Product description:

- Bi-directional full flanged heavy duty knife gate valve
- Size range of DN80-900 (larger sizes available). See Dimension Charts for pressure rating
- Rising stem
- Standard flange connection: EN 1092 PN 25 and ASME B16.5 (class 300)
Others available upon request
- Manual (handwheel and bevel gear), pneumatic (single and double-acting), electric and hydraulic actuation options available
- For EU Directives and other Certificates, please see the document: Directives and Certificates Compliance - Knife Gate Valves - Catalogues and Datasheets

Features:

- Full flange cast monoblock body with two machined lateral mouths where the sleeves fit perfectly and grease nipples to lubricate the gate
- Open at the bottom for draining purposes, also available with covers or splash guards
- Rectangular shaped stainless steel gate, polished both sides to reduce friction and avoid seat damage
- Metal reinforced rubber sleeve seats, designed to allow maximum flexibility and minimum effort during gate travel
- Conventional leak proof packing
- RAL-5015 blue epoxy-coating on all cast iron/carbon steel components
- Automated valves provided with gate guards in accordance with EU Safety Standards
- Other options: open-closed lockout system, flush ports, special materials, fabricated valves, gate coatings, etc.
- Actuation accessories: limit & proximity switches, mechanical stops, solenoid valves, manual overrides, fail safe systems, stem extensions and floor stands



STANDARD PARTS LIST

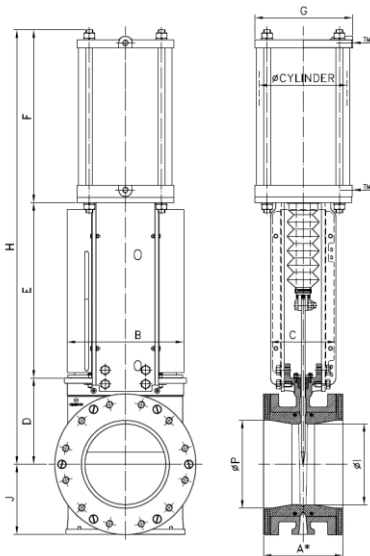
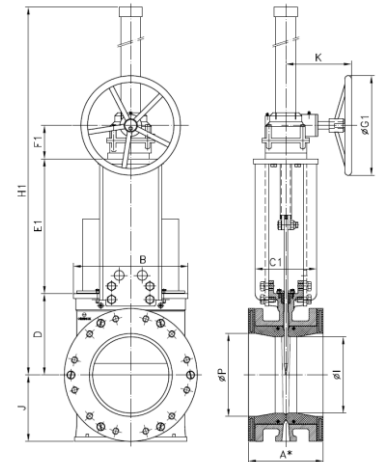
Part	Materials
1 Body	Ductile iron A536 (60-40-18) / Carbon Steel S275JR
2 Gate	AISI 304 (1.4301) + Chrome / Duplex 2205 + Chrome
3 Sleeves	Natural rubber / EPDM
4 Packing	PTFE Impreg. Synth. Fibre (with a EPDM O-Ring)
5 Gland Follower	A570 GR.40 / 1.0044 Epoxy coated
6 Yoke	A570 GR.40 / 1.0044 Epoxy coated
7 Grease Nipple	Zinc coated carbon-steel
8 Stem	Stainless Steel
9 Stem protector	A570 GR.40 / 1.0044 Epoxy coated
10 Bevel Gear	-

DIMENSIONS (mm) Hand operated Rising Stem

DN	Pressure	Gear	A1*	A2*	B	C	D	E	F	ØG	H	J	K	ØP	ØI
80	20 bar	-	175	183	175	100	124	175	67	225	545	90	-	72	62
100	20 bar	-	175	183	170	100	140	200	67	310	620	100	-	100	85
150	20 bar	FLO.4	178	186	230	165	175	263	84	300	900	130	263	148	137
200	20 bar	FLO.4	184	192	280	165	205	322	84	300	990	160	263	197	175
250	20 bar	FLO.4	225,5	233	335	185	245	397	84	300	1510	200	263	250	230
300	20 bar	FLO.4	257	264	390	266	280	441	84	450	1590	232	263	292	273
350	20 bar	FLO.4	257	264	440	270	325	508	84	450	1700	258	263	337	318
400	20 bar	FLO.4	279,5	287	505	270	350	567	84	450	1780	292	263	375	356
450	20 bar	FL1.6	311	319	560	270	420	631	102	650	2175	318	263	425	378
500	20 bar	FL1.6	359	367	620	270	462	700	102	650	2305	345	263	470	420
600	20 bar	FL1.6	371,5	380	730	270	510	805	102	650	2520	400	263	585	539

A1*: installed face to face

A2*: minimum required dimension for installation



DIMENSIONS (mm) Pneumatic Actuator (D/A)

DN	Pressure	A1*	A2*	B	C	D	E	F	G	H	J	ØP	ØI	Standard Cyl.	TM
80	20 bar	175	183	175	100	134	267	279	175	680	107	72	62	C125/114	1/4"
100	20 bar	175	183	170	165	160	318	323	220	801	129	100	85	C160/140	1/4"
150	20 bar	178	186	230	185	225	434	400	277	1059	162	148	137	C200/200	3/8"
200	20 bar	184	192	280	266	275	501	478	382	1254	192	197	175	C250/252	3/8"
250	20 bar	225,5	233	335	270	310	560	559	444	1429	225	250	230	C300/313	1/2"
300	20 bar	257	264	390	270	350	702	645	444	1697	263	292	273	C350/359	3/4"
350	20 bar	257	264	440	270	390	808	730	515	1928	295	337	318	C400/418	3/4"
400	20 bar	279,5	287	505	270	425	855	750	515	2000	328	375	356	C400/465	3/4"

A1*: installed face to face

A2*: minimum required dimension for installation

DIMENSIONS (mm) Electric Actuator Rising Stem

DN	Pressure	A1*	A2*	B	C	D	E	F	ØG	H	K	J	L	M	N	ØP	ØI
80	20 bar	175	183	175	100	124	175	442	160	1000	265	90	62	238	249	72	62
100	20 bar	175	183	170	165	140	198	481	160	1035	265	100	62	238	249	100	85
150	20 bar	178	186	230	185	175	265	583	160	1135	265	130	62	238	249	148	137
200	20 bar	184	192	280	266	205	322	682	200	1245	282	150	65	238	254	197	175
250	20 bar	225,5	233	335	270	245	415	790	200	1378	282	200	65	248	254	250	230
300	20 bar	257	264	390	270	280	472	882	200	1470	282	232	65	248	254	292	273
350	20 bar	257	264	440	270	325	555	1055	315	1657	385	258	91	286	336	337	318
400	20 bar	279,5	287	505	270	350	605	1130	315	1732	385	292	91	286	336	375	356
450	20 bar	311	319	560	270	420	677	1272	315	1974	385	318	91	286	336	425	378
500	20 bar	359	367	620	270	462	742	1379	400	2481	385	345	91	286	339	470	420
600	20 bar	371,5	380	730	270	510	843	1528	400	2630	385	400	91	286	339	585	539
750	20 bar	395,5	405	930	320	605	1115	1930	500	3053	510	515	117	303	365	737	680
800	20 bar	470	480	1040	480	690	1220	2085	500	3208	510	575	117	303	365	788	719
900	20 bar	470	480	1143	485	760	1370	2285	500	3408	510	620	117	303	365	889	810

A1*: installed face to face

A2*: minimum required dimension for installation

