

# WG SERIES 65 KNIFE GATE VALVE



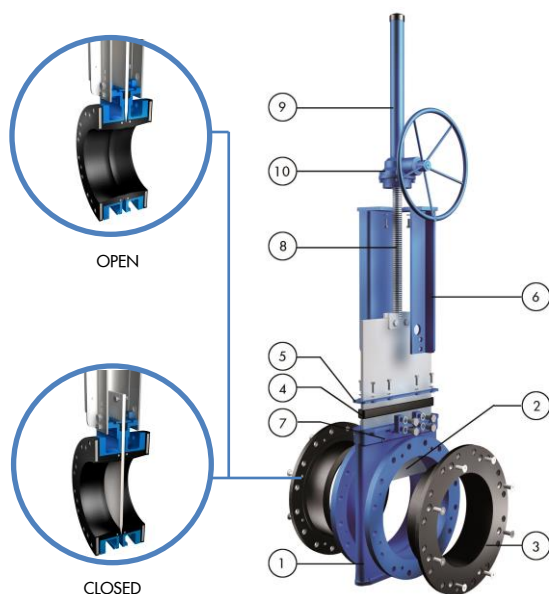
The SERIES 65 (WG) model knife gate valve is a full flanged heavy duty valve equipped with two metal reinforced rubber sleeves designed for use in the handling of abrasive slurries, mainly in industries such as Mining, Chemical Plants, Power Plants, Wastewater Treatment Plants, etc.

## Product description:

- Bi-directional full flanged heavy duty knife gate valve
- Size range of DN 3"-36" (larger sizes upon request). See Dimension Charts for pressure rating
- Rising stem
- Standard flange connection: EN 1092 PN10 and ASME B16.5 (class 150)  
Others available upon request
- Manual (handwheel and bevel gear), pneumatic (single and double-acting), electric and hydraulic actuation options available
- For EU Directives and other Certificates, please see the document:  
Directives and Certificates Compliance - Knife Gate Valves - Catalogues and Datasheets

## Features:

- Full flange cast monoblock body with two machined lateral openings where the sleeves fit perfectly. Grease nipples to lubricate the gate are standard
- Open at the bottom for draining purposes, also available with covers or splash guards
- Rectangular shaped stainless steel gate, polished both sides to reduce friction and avoid seat damage
- Metal reinforced rubber sleeve seats, designed to allow maximum flexibility and minimum effort during gate travel
- EPDM packing as standard. Conventional leak proof packing also available
- RAL-5015 blue epoxy-coating on all cast iron/carbon steel components
- Automated valves provided with gate guards in accordance with EU Safety Standards. Only in EU
- Other options: open-closed lockout system, flush ports, special materials, fabricated valves, gate coatings, etc.
- Actuation accessories: limit & proximity switches, mechanical stops, solenoid valves, manual overrides, fail safe systems, stem extensions and floor stands



## STANDARD PARTS LIST

Part	Materials
1 Body	Ductile iron A536 (60-40-18) / 0.7040 / GJS 400
2 Gate	AISI 304 (1.4301) / AISI 316 (1.4401)
3 Sleeves	Natural rubber/ EPDM
4 Packing	EPDM
5 Gland Follower	A570 GR.40 / 1.0044 Epoxy coated
6 Yoke	A570 GR.40 / 1.0044 Epoxy coated
7 Grease Nipple	Zinc coated carbon-steel
8 Stem	Stainless Steel
9 Stem Protector	A570 GR.40 / 1.0044 Epoxy coated
10 Bevel Gear	-

\* Refer to full catalogue for complete details

# WG SERIES 65 KNIFE GATE VALVE



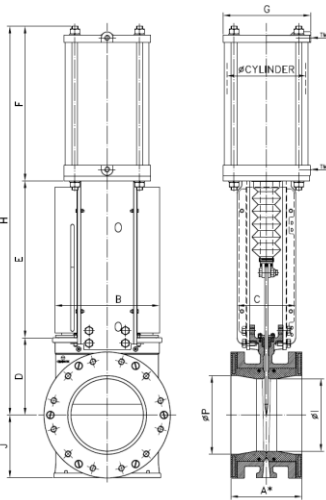
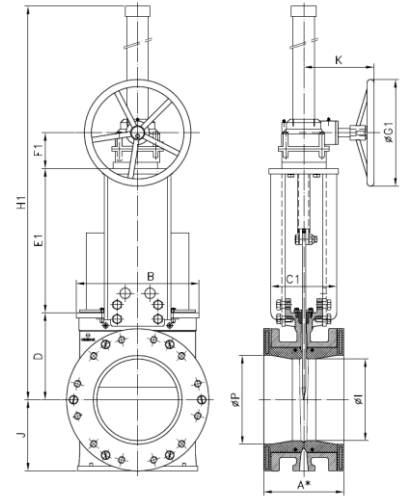
## DIMENSIONS Hand Operated Rising Stem

DN(“)	Pressure	Gear	A1*	A2*	B	C	D	E	F	ØG	H	J	K	ØP	ØI
3"	150 psi	-	6.88	7.20	7.05	-	4.88	-	-	-	-	3.78	-	2.83	2.44
4"	150 psi	-	6.88	7.20	6.73	-	5.52	-	-	-	-	4.53	-	4	3.34
6"	150 psi	-	7	7.32	9.37	-	6.89	-	-	-	-	5.55	-	5.83	5.39
8"	150 psi	FL0.4	7.24	7.55	11.61	6.50	8.07	12.40	4.29	12	40.94	6.81	8	7.76	6.89
10"	150 psi	FL0.4	8.75	9.17	13.62	7.28	9.64	15.31	3.30	12	41.73	8.03	8	10	9.05
12"	150 psi	FL0.4	10.11	10.39	15.55	10	11.02	17.56	3.30	12	57.48	9.61	8	11.50	10.75
14"	150 psi	FL0.4	10.11	10.39	18	10	12.79	20	3.30	18	60.23	10.55	8.66	13.27	12.52
16"	150 psi	FL0.4	1	11.29	20.11	10.63	14	21.97	3.30	18	64.57	11.81	8.66	14.77	14.02
18"	90 -150 psi <sup>(1)</sup>	FL1.6	12.24	12.55	22.20	11.42	16.53	24.60	3.30	18	68.90	12.60	8.66	16.73	14.88
20"	90 -150 psi <sup>(1)</sup>	FL1.6	14.13	14.44	24.52	11.42	18.19	27	4.02	25.60	75.98	14.13	11.34	18.50	16.53
24"	90 -150 psi <sup>(1)</sup>	FL1.6	14.62	14.96	28.74	11.42	20.08	30.71	4.02	25.60	95.47	16.61	11.34	23.03	21.22
30"	75 -150 psi <sup>(1)</sup>	FL1.6	15.57	15.95	35.87	12.60	24	38.78	4.02	25.60	107.48	20.94	11.34	29.02	26.77
36"	75 -150 psi <sup>(1)</sup>	FL1.6	18.50	18.90	42.68	12.60	28	45.87	4.02	25.60	118.50	24.92	11.34	35	31.88

A1\*: installed face to face

A2\*: minimum required dimension for installation

<sup>(1)</sup> Duplex gate for 150 psi



## DIMENSIONS Pneumatic Actuator (D/A)

DN(“)	Pressure	A1*	A2*	B	C	D	E	F	G	H	J	ØP	ØI	Standard Cyl.	TM
3"	150 psi	6.88	7.20	7.05	4	4.88	10.12	9.44	5.51	24.45	3.78	2.83	2.44	C5"-4.33"	¼" G
4"	150 psi	6.88	7.20	6.73	4.21	5.52	10.63	10.16	5.51	26.30	4.53	4	3.34	C5"-5.12"	¼" G
6"	150 psi	7	7.32	9.37	4.21	6.89	15.55	12.72	6.89	35.15	5.55	5.83	5.39	C6.29"-7.28"	¼" G
8"	150 psi	7.24	7.55	11.61	6.50	8.07	18.26	15.67	8.66	42.01	6.81	7.76	6.89	C8"-9.44"	¾" G
10"	150 psi	8.75	9.17	13.62	7.28	9.64	19.88	18.50	10.90	48.03	8.03	10	9.05	C10"-11.42"	¾" G
12"	150 psi	10.11	10.39	15.55	10	11.02	25.60	21.18	13.18	58.03	9.61	11.50	10.75	C12"-13.58"	½" G
14"	150 psi	10.11	10.39	18	11.42	12.79	28.03	25.60	17.48	66.42	10.55	13.27	12.52	C14"-15.55"	¾" G
16"	150 psi	1	11.29	20.11	11.42	13.77	30.27	27.75	17.48	71.81	11.81	14.77	14.02	C14"-17.72"	¾" G
18"	90 -150 psi <sup>(1)</sup>	12.24	12.55	22.20	11.42	16.53	32.99	30.19	20.27	79.72	12.60	16.73	14.88	C16"-19.68"	¾" G
20"	90 -150 psi <sup>(1)</sup>	14.13	14.44	24.52	11.42	18.19	35.31	33.03	20.27	86.53	14.13	18.50	16.53	C16"-22.04"	¾" G
24"	90 -150 psi <sup>(1)</sup>	14.62	14.96	28.74	11.42	20.08	38.98	36.25	20.27	95.27	16.61	23.03	21.22	C16"-25.78"	¾" G

A1\*: installed face to face

A2\*: minimum required dimension for installation

<sup>(1)</sup> Duplex gate for 150 psi

## DIMENSIONS Electric Actuator Rising Stem

DN(“)	Pressure	A1*	A2*	B	C	D	E	F	ØG	H	J	K	L	M	N	ØP	ØI
3"	150 psi	6.88	7.20	7.05	4	4.88	7.28	5.63	6.30	26.06	3.78	10.43	2.44	9.37	9.80	2.83	2.44
4"	150 psi	6.88	7.20	6.73	4.21	5.52	7.68	5.63	6.30	27.09	4.53	10.43	2.44	9.37	9.80	4	3.34
6"	150 psi	7	7.32	9.37	4.21	6.89	10.24	5.63	6.30	45.59	5.55	10.43	2.44	9.37	9.80	5.83	5.39
8"	150 psi	7.24	7.55	11.61	6.50	8.07	12.99	6.10	7.87	50.08	6.81	11.14	2.55	9.76	10	7.76	6.89
10"	150 psi	8.75	9.17	13.62	7.28	9.64	15.94	6.10	7.87	54.60	8.03	11.14	2.55	9.76	10	10	9.05
12"	150 psi	10.11	10.39	15.55	10	11.02	19.19	6.10	7.87	57.24	9.61	11.14	2.55	9.76	10	11.50	10.75
14"	150 psi	10.11	10.39	18	11.42	12.79	20.47	6.22	12.40	63.07	10.55	15.31	3.58	11.25	13.22	13.27	12.52
16"	150 psi	1	11.29	20.11	11.42	13.77	22.83	6.22	12.40	66.54	11.81	15.31	3.58	11.25	13.22	14.77	14.02
18"	90 -150 psi <sup>(1)</sup>	12.24	12.55	22.20	11.42	16.53	25.40	6.22	12.40	71.73	12.60	15.31	3.58	11.25	13.22	16.73	14.88
20"	90 -150 psi <sup>(1)</sup>	14.13	14.44	24.52	11.42	18.19	27.75	6.22	16	75.79	14.13	15.31	3.58	11.25	13.34	18.50	16.53
24"	90 -150 psi <sup>(1)</sup>	14.62	14.96	28.74	11.42	20.08	31.65	6.22	20	83.46	16.61	16.93	4.52	11.93	14.37	23.03	21.22
30"	75 -150 psi <sup>(1)</sup>	15.57	15.95	35.87	12.60	24	38.07	7.48	20	113.38	20.94	16.93	4.52	11.93	14.37	29.02	26.77
36"	75 -150 psi <sup>(1)</sup>	18.50	18.90	42.68	12.60	28	46.06	7.48	20	125.20	24.92	16.93	4.52	11.93	14.37	35	31.88

A1\*: installed face to face

A2\*: minimum required dimension for installation

<sup>(1)</sup> Duplex gate for 150 psi

